

# Product Specifications

<b>Customer</b>	
<b>Model</b>	<b>NTSP550 V500</b>



Records of Revision			
Vision	Modifying	Old Description	New Description
v2004.1	Preliminary Specifications		
v2004.2	<ol style="list-style-type: none"> <li>1. Correction of Dimension</li> <li>2. Format Updated</li> </ol>		

## Features

- ★ 55" , 4K (UHD) Resolution
- ★ Front IP65
- ★ VA Technology, Wide Viewing Angle (178°/178°)
- ★ True Flat Projected Capacitive Touch Screen, 7H Hardness Tempered Cover Glass
- ★ 10 points Multi-touch , Supports Active Stylus
- ★ Metal Cabinet with Diverse Combine Options
- ★ Made in Taiwan, 3 Years Warranty, Designed for Harsh Environments
- ★ Optional High Brightness 700nits
- ★ Optional Software Remote Control by RS232
- ★ Optional Auto Dimming Function (with Light Sensor)



PSE



BSMI



FCC



CE



RoHS



ISO9001

### Display Specifications

Model Name	<b>NTSP550XPS9A-GGXXUX-500*</b>	Display Mode	<b>Normally Black</b>
Screen Diagonal	<b>55 inch</b>	Response Time	<b>8.5 msec.</b>
Display Area	<b>1209.6x680.4 mm</b>	Backlight Unit	<b>LED (white LED)</b>
Resolution	<b>3840x2160 (UHD)</b>	Viewing Angle (L/R, U/D)	<b>178°/178° (CR=10)</b>
Contrast Ratio	<b>4000:1</b>	Backlight Lifetime	<b>&gt;50000HRS</b>
Display Ratio	<b>16:9</b>	Operating Temp.	<b>0~50°C</b>
Support Color	<b>1.07 B Colors</b>	Storage Temp.	<b>-20~60°C</b>
Pixel Pitch	<b>0.315x0.315 mm</b>	Surface Treatment	<b>Anti-glare Haze 2%, Hardness 3H</b>

\* X = A~Z, 0~9 (Depends on options)

### Touch Specifications

Projected Capacitive			
Touch Technology	<b>Projected Capacitive</b>	Transparency	<b>≥87%</b>
Allowed Touch Points	<b>10 points</b>	Thickness of Cover Lens	<b>2.9±0.2mm</b>
Interface	<b>USB/RS232 (Option)</b>	Hardness of Cover Lens	<b>7H</b>
Accuracy	<b>99.00%</b>	Surface Treatment	<b>Anti-glare</b>
IK Ratings	<b>IK07</b>		



\* True Flat, Bezel 1 mm

### Supported OS

Windows	<b>Win7, Win8, Win10 ↑</b>
Linux	<b>Kernel 2.6.24 ↑</b>
Android	<b>3.0 ↑</b>
Mac	<b>10.5.x ↑ (Intel CPU)</b>



### General Options

Brightness			
	Brightness	Environment	Model Name
<b>Standard</b>	<b>450nits</b>	<b>General (Indoor Environment)</b>	<b>NTSP550NPS9A-GGXXUX-500</b>
Option	700nits	Outdoor Environment	NTSP550HP29A-GGXXUX-500

\* Check the data sheet NTSP550HP2

Color of Cabinet		
	Description	Model Name
<b>Standard</b>	<b>Black</b>	<b>NTSP550XPS9A-GGBXUX-500</b>
Option 1	White	NTSP550XPS9A-GGWXUX-500
Option 2	Silver	NTSP550XPS9A-GGSXUX-500
Options	Other Color	NTSP550XPS9A-GGXXUX-500

\* X = A~Z, 0~9 (Depends on Color)

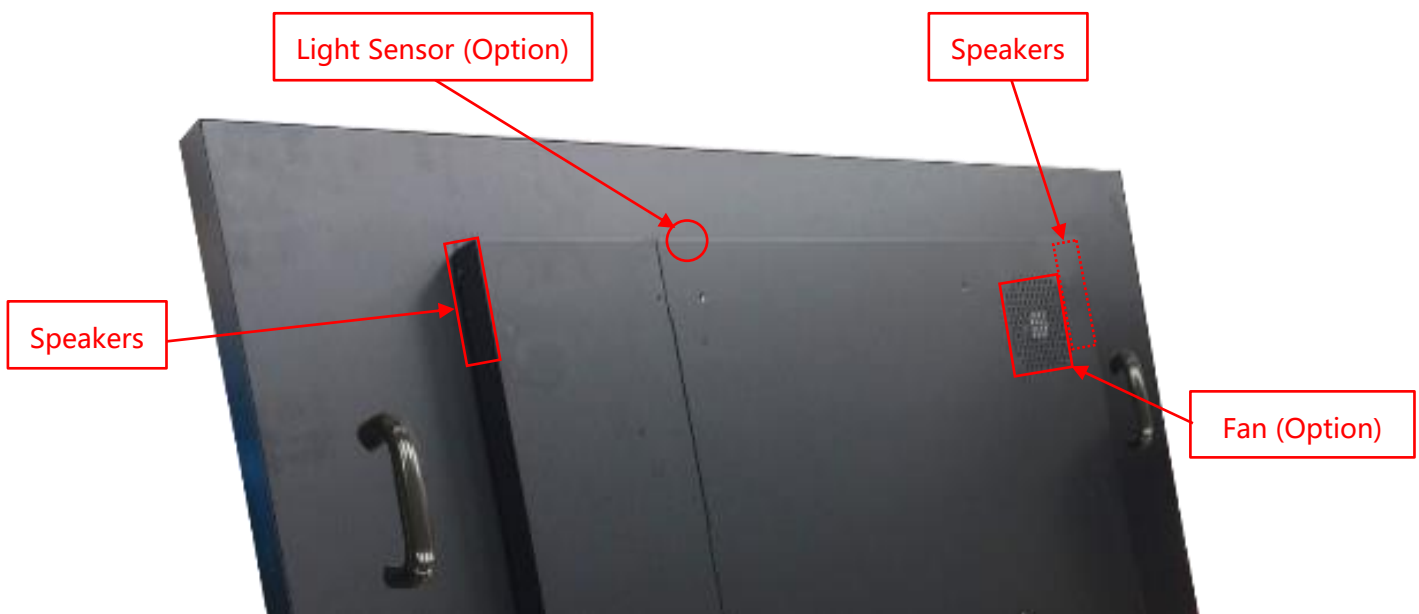
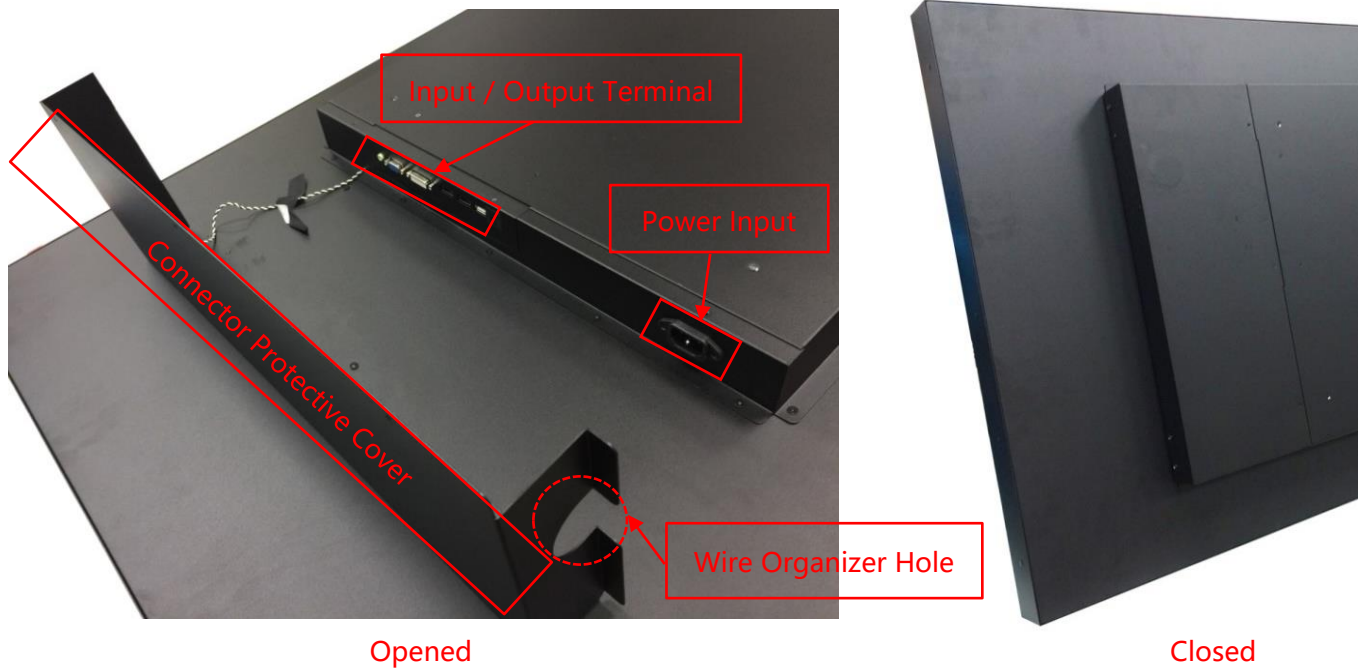
Material of Cabinet		
	Description	Model Name
<b>Standard</b>	<b>SECC</b>	<b>NTSP550XPS9A-GGX<sup>S</sup>UX-500</b>
Option 1	Stainless Steel	NTSP550XPS9A-GGX <sup>L</sup> UX-500
Option 2	Aluminum	NTSP550XPS9A-GGX <sup>A</sup> UX-500

Cooling Fan		
	Description	Model Name
<b>Standard</b>	<b>Fanless</b>	<b>NTSP550XPS9A-GGXXU<sup>0</sup>-500</b>
Option	7 Blades/12V/1.92W/1200r.p.m/ Max.44.72 CFK /25dB	NTSP550XPS9A-GGXXU <sup>F</sup> -500

### Accessories

Item	Description	Quantity
HDMI Cable	HDMI Male to Male, 1.8 Meter	1
Power Cord	*Country Specific	1
USB Cable	A type, Male to Male, 1.5 Meter*	1

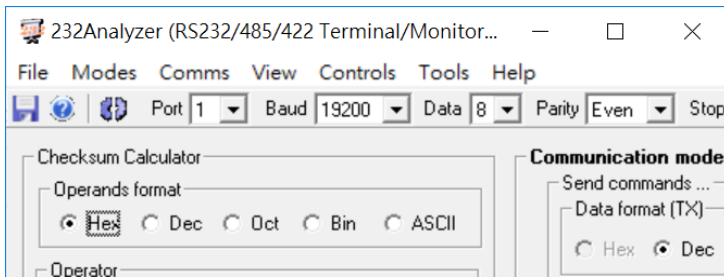
## Input /Output



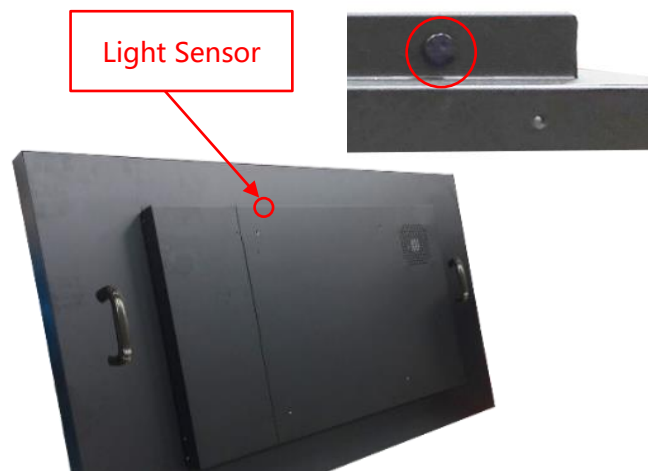
Input / Output	Connectors	Input / Output	Connectors
HDMI Input	2	USB 2.0 Interface	1
VGA Input	1	RS232	Option
DisplayPort Input	2	Speakers	10Wx2
Audio Input (3.5mm)	1	Light Sensor	Option
AC Power Input (C14)	1	Remote control	Option

## Other Options

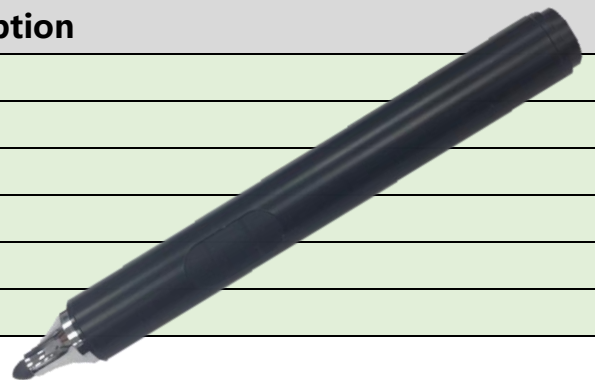
OSD Control		
	Item	Description
<b>Standard</b>	<b>Button</b>	<b>Rear Physical Button</b>
Option 1	Software Remote Control	Software Remote Control by RS232/Serial Port
Option 2	Auto Dimming	Auto Brightness Adjusting by Built-in Light Sensor



\* Software Remote



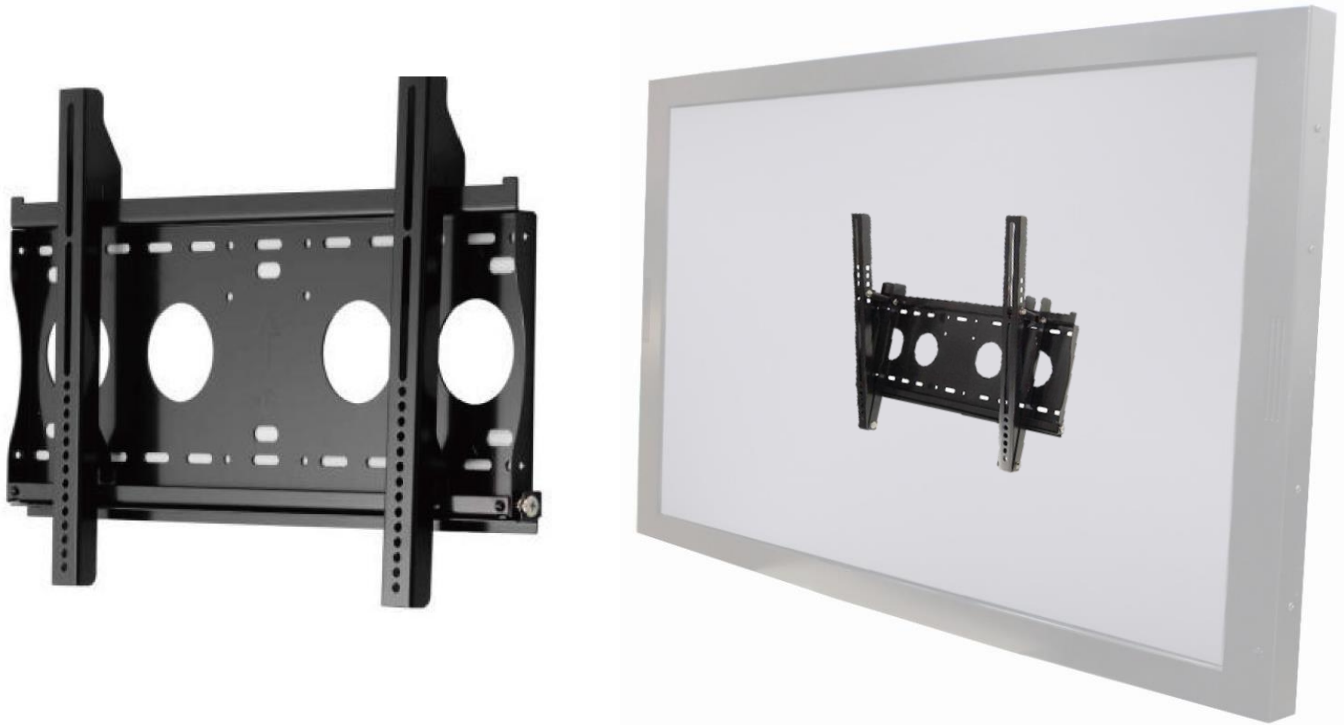
Active Stylus Option	
Technology	Active Capacitive Coupled
Working Frequencies	90~250 KHZ
Pressure Level	256~1024 Levels
Side Buttons	2 Side Buttons (Eraser, Barrel)
Active Tip Force	5~25g
Max. Tip Force	400g



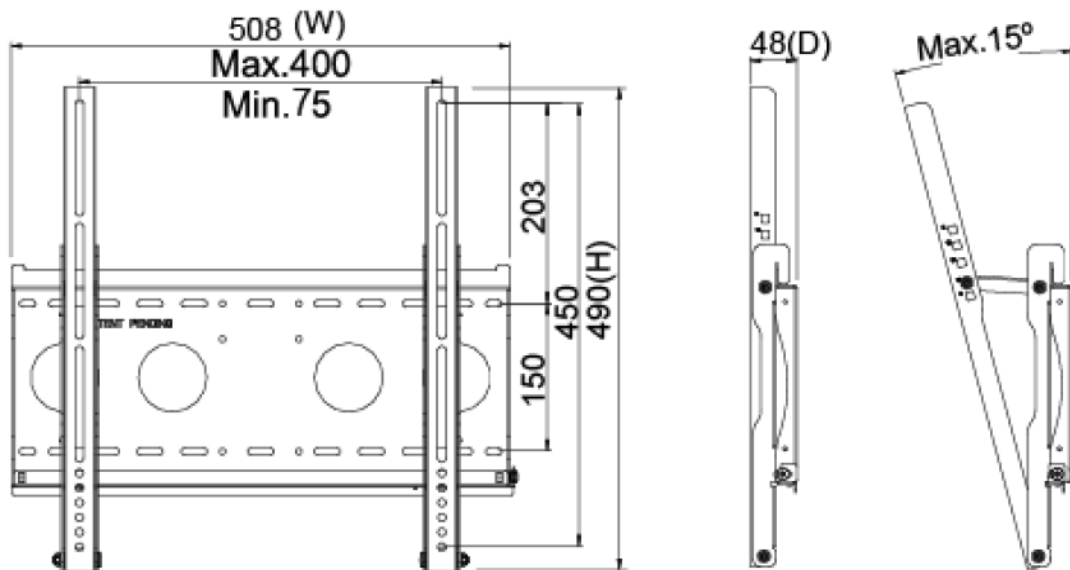
## Penholder (Option)



## Wall Mount Bracket (Option)



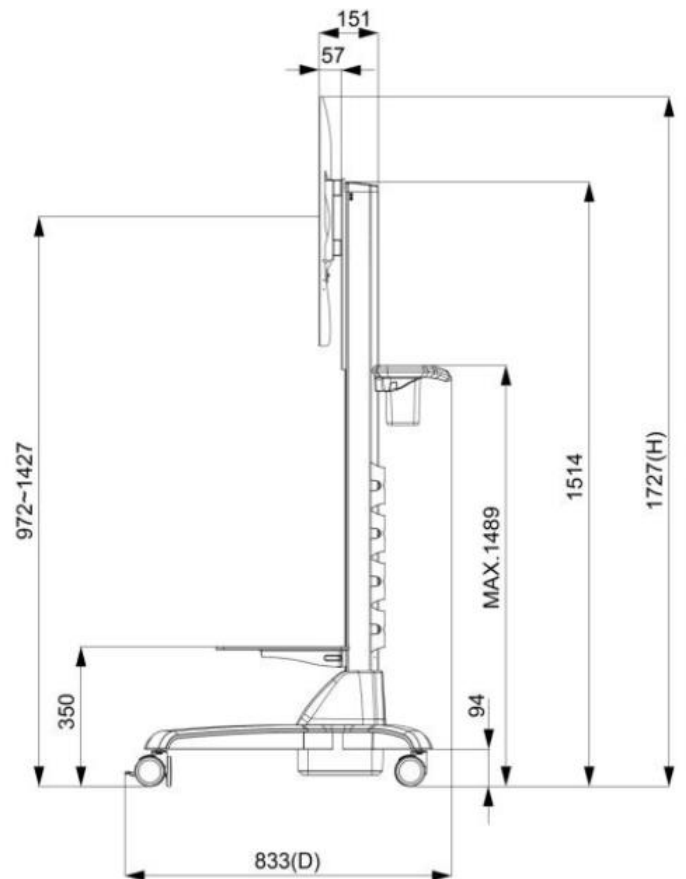
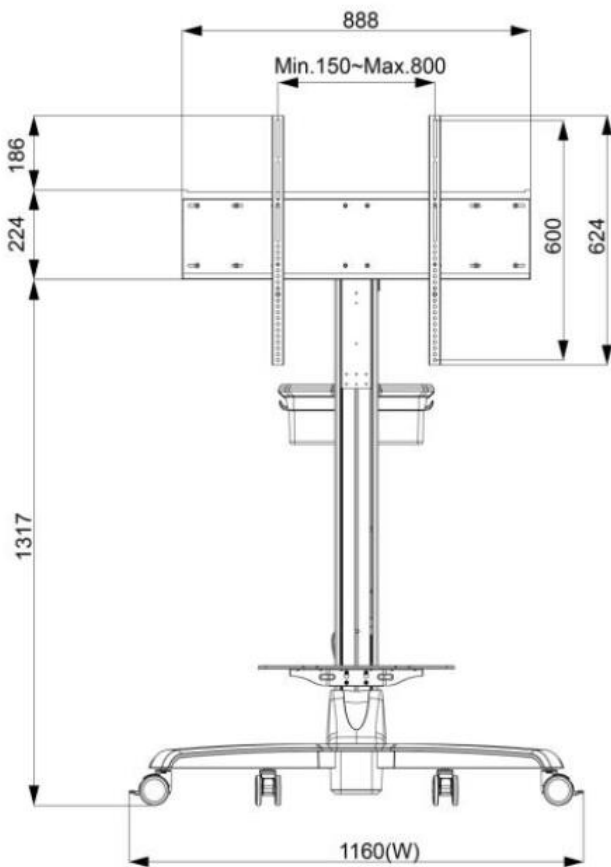
Part No.	<b>WMB-B001</b>		
Mounting Pattern	<b>Max. 400x450 mm</b>	Dimension (WxHxD)	<b>508x490x48 mm</b>
Material	<b>SECC</b>	Net Weight	<b>4.01 KG</b>
Tilt (Hinge)	<b>0°/5°/10°/13°/15°</b>	Support Max. Weight	<b>80 KG</b>
Screw Type	<b>M4/M5/M6/M8</b>	Min. Distance to The Wall	<b>48 mm</b>



**Cart (Option)**



Net Weight	<b>28.4 KG</b>
Power System	<b>AC 200~240V 50/60Hz</b>
User Interface	<b>Button (up/down)</b>
Packaged Dimension	<b>W1160xD833xH1727 mm</b>
Screw Type	<b>M4/M5/M6/M8</b>
Material	<b>Aluminum/Plastic/Steel</b>
Max. Mount Pattern	<b>800x600mm</b>
Max. Weight Load	<b>80 KG</b>
Caster	<b>4 (front 2 braking)</b>
Height Adjust Range	<b>455 mm</b>
RoHS/REACH	<b>Yes</b>





**KIOSK Cabinet (Option)**

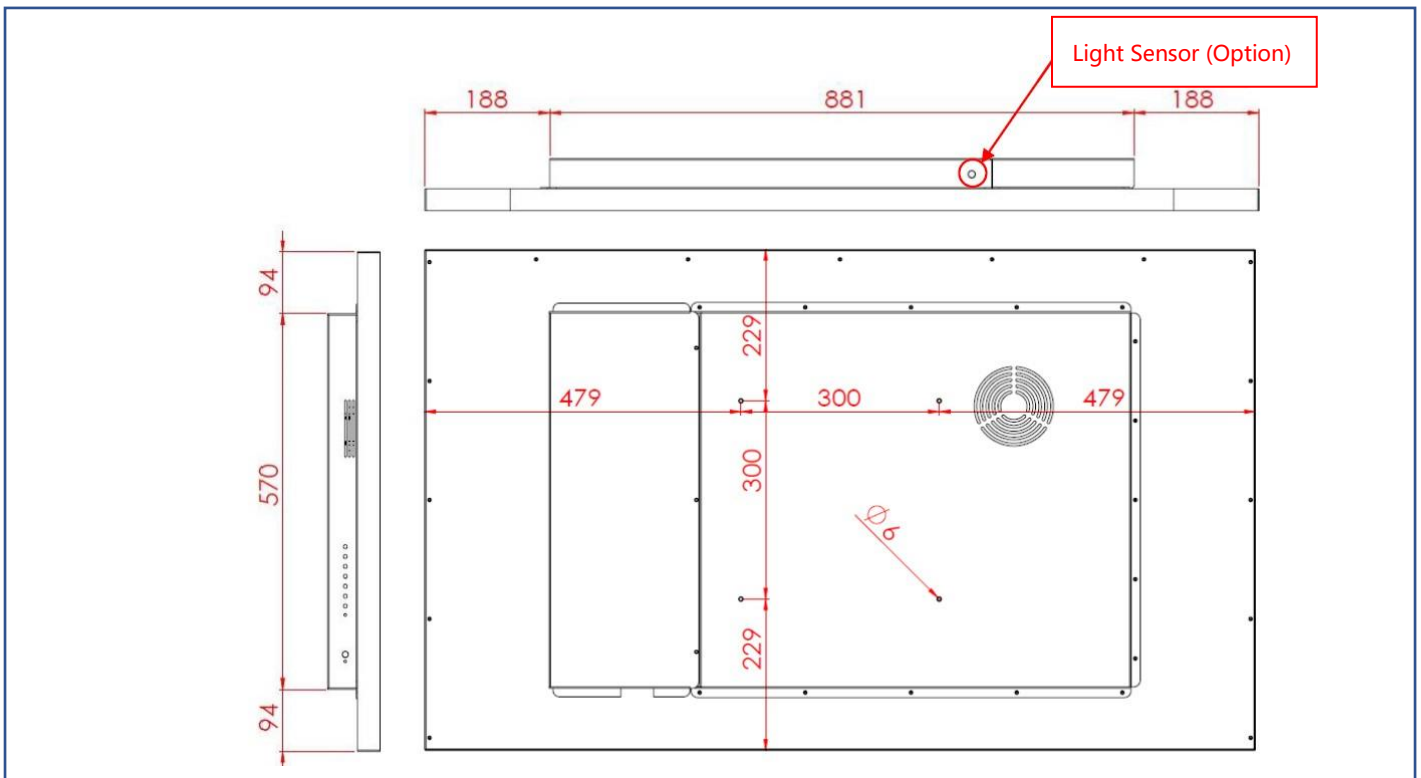
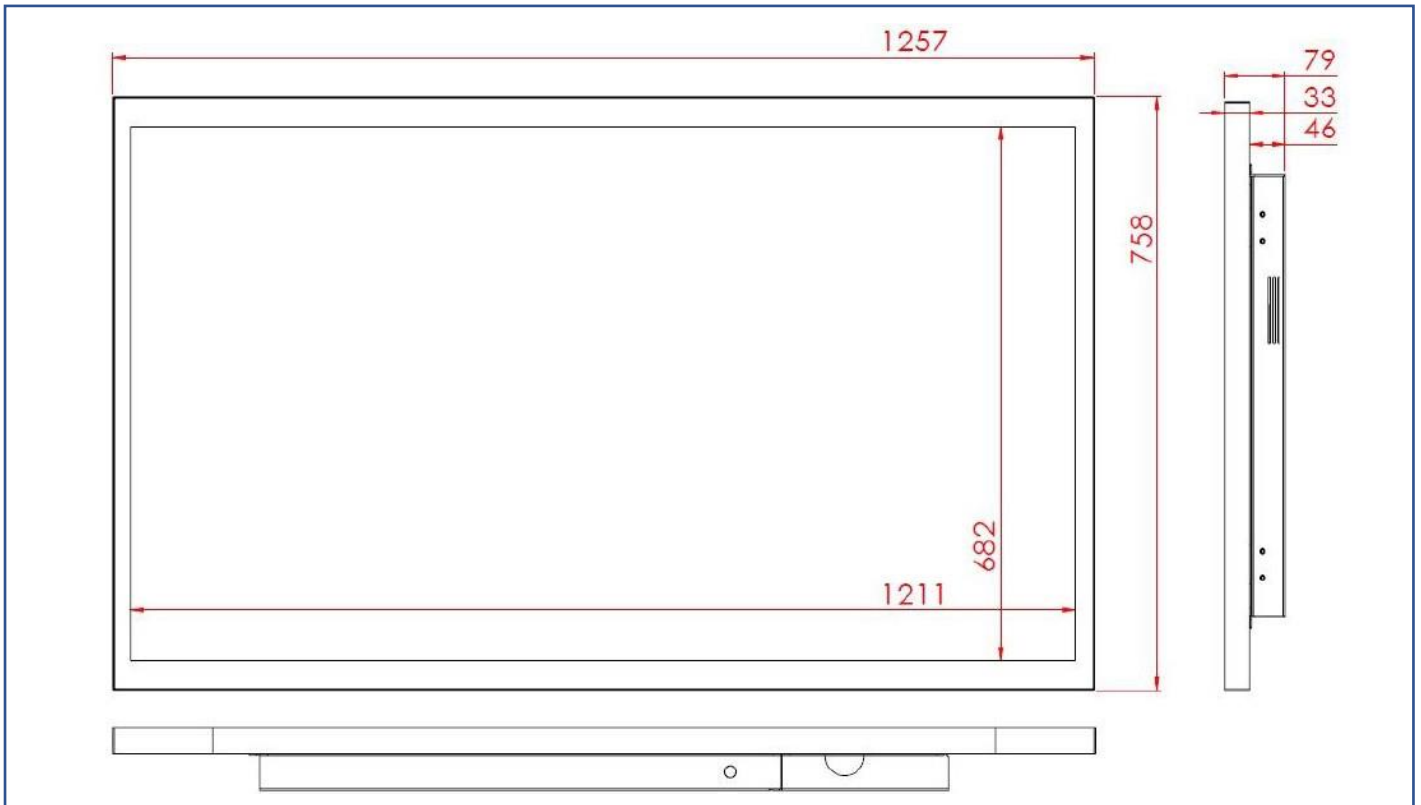


Material	<b>SECC</b>
Caster	<b>4 (front 2 braking)</b>
Ingress Protection	<b>Front IP65</b>
Power Socket	<b>None (Wire Hole Reserved)</b>



## Physical Specifications

Dimension (Max)	<b>1257x758x79(±2)mm</b>	Net Weight	≤ <b>38 KG</b>
VESA Mounting	<b>300x300 mm</b>	Gross Weight	≤ <b>45 KG</b>



## Packing Information



Dimensions of Carton	<b>153x96x23 CM</b>
Net Weight	<b>≤38 KG</b>
Gross Weight	<b>≤45 KG</b>