



Product Specifications

Customer	
Model	NTI650 V012



Records of Revision			
Vision	Modifying	Old Description	New Description
v1909.1	Preliminary Specifications		



Features

- ★ 65" 16:9 ,1920x1080 (Full-HD) Resolution
- ★ VA Wide Viewing Angel 178°/178°
- ★ I.R. Touch Option
- ★ 7H Hardness Tempered Cover Glass
- ★ **20 points Multi-touch**
- ★ Metal Cabinet with Diverse Combine Options
- ★ Made in Taiwan, 3 Years Warranty
- ★ Designed for Harsh Environments
- ★ Optional High Brightness/Sunlight Readable
- ★ Media Play by USB Drive. (PC free!)



PSE



BSMI



FCC



CE



RoHS



ISO9001



Display Specifications

Model Name	NTI650X0XXHXA-012 *	Display Mode	VA Mode, Normally Black
Screen Diagonal	64.53 inch	Response Time	6.5 msec.
Display Area	1428.5x803.5 mm	Backlight Unit	LED (white LED)
Resolution	1920x1080 (FHD)	Viewing Angle (L/R, U/D)	178°/178° (CR≥10)
Contrast Ratio	4000:1	Backlight Lifetime	>50000 HRS
Display Ratio	16:9	Operating Temp.	0~50°C
Support Color	1073M Colors	Storage Temp.	-20~60°C
Pixel Pitch	0.744x0.744 mm	Surface Treatment	Anti-glare Haze 11%, 3H

* Depends on options.

Display Input

Connectors	Description	Connectors	Description
VGA	15pin D-Sub x1	DVI	DVI-I x1
HDMI	HDMI 1.4 x2	USB	USB Type A x1 *

* For media playing function by using USB drives, plays the media files automatically.

Supported Media Format	
Movie	avi, mpg, dat, vob, mov, mkv, rm, rmvb, mp4, mjpeg, ts, trp, wmv, asf, flv
Picture	Jpg, bmp, png
Music	mp3, m4a

Notes

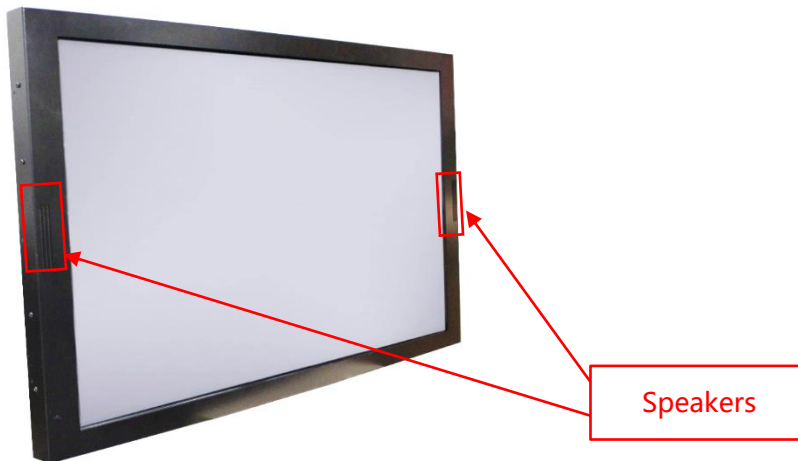
1. Media playing function by using USB driver isn't supporting touch function.
2. Touch function requires a PC, Android or Linux device.
3. Media playing function requires an USB Drive only. (without PC)

Accessories

Item	Description	Quantity
HDMI Cable	HDMI Male to Male, 1.5 Meter	1
Power cord	*Country Specific	1
USB Cable	A type, Male to Male, 1.5 Meter *(only for touch monitor)	1

Audio System

	Description	Connector
Audio Input	Stereo	TRS Connector Φ3.5mm (Earphone Jack)
Speakers	10W x2	



Brightness Options

Item	Brightness	Model No.
Standard	700 nits	NTI650X0XXHXA-<u>012</u>
Option	2500 nits	NTI650X0XXHXA- <u>022</u>

* Check the data sheet [NTI650 V022](#)

Cabinet Options

	Description	Model Name
Standard	Galvanized steel (SECC)	NTI650X0XXH<u>S</u>A-012
Option 1	Stainless Steel	NTI650X0XXH <u>L</u> A-012
Option 2	Aluminum	NTI650X0XXH <u>A</u> A-012

Supported OS

Windows	Win10, Win8, Win7 , Vista, XP, Embedded XP, Win2000, CE.NET 4.x ↑
Linux	Kernel 2.6.24 ↑
Android	3.0 ↑
Mac	10.5.x ↑ (Intel CPU)



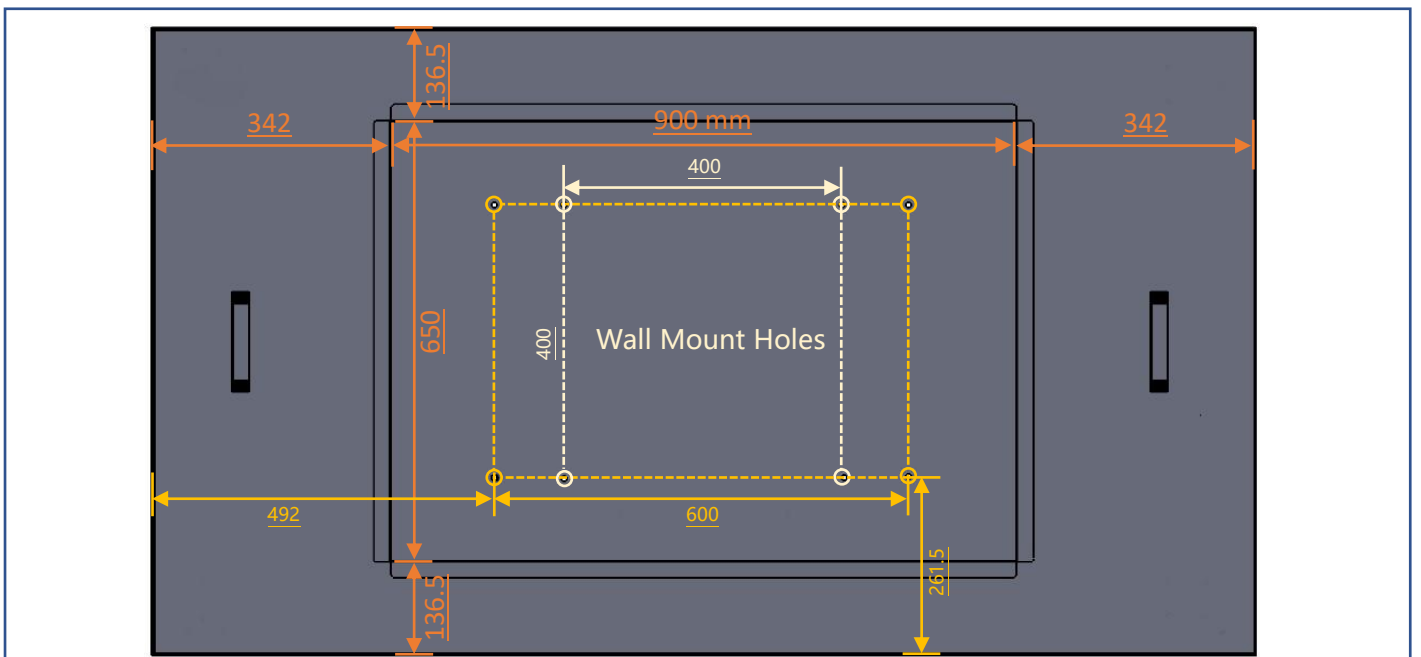
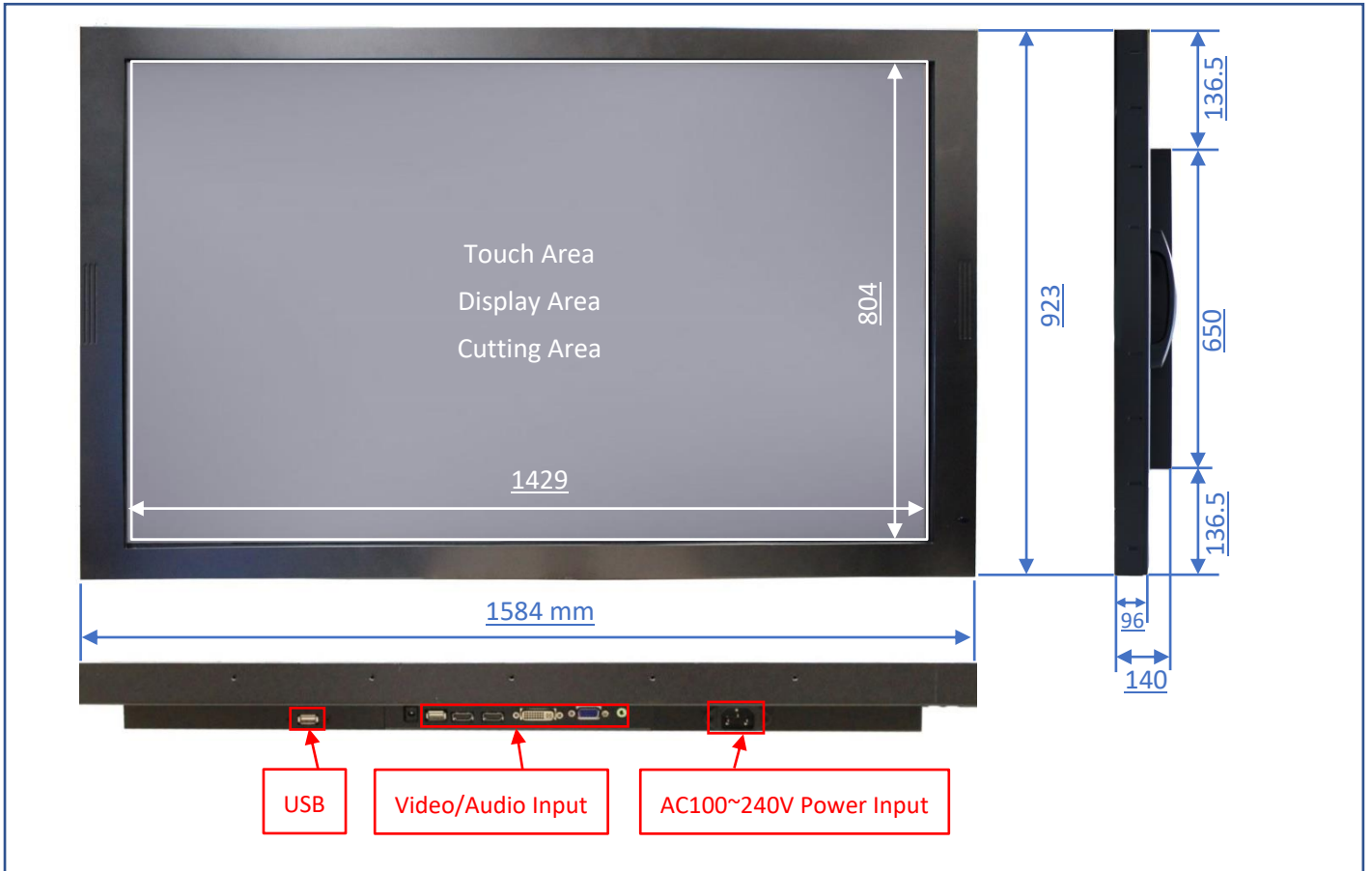
Touch Options

Non-Touch			
Model No.	NTI6500XXHXA-012		

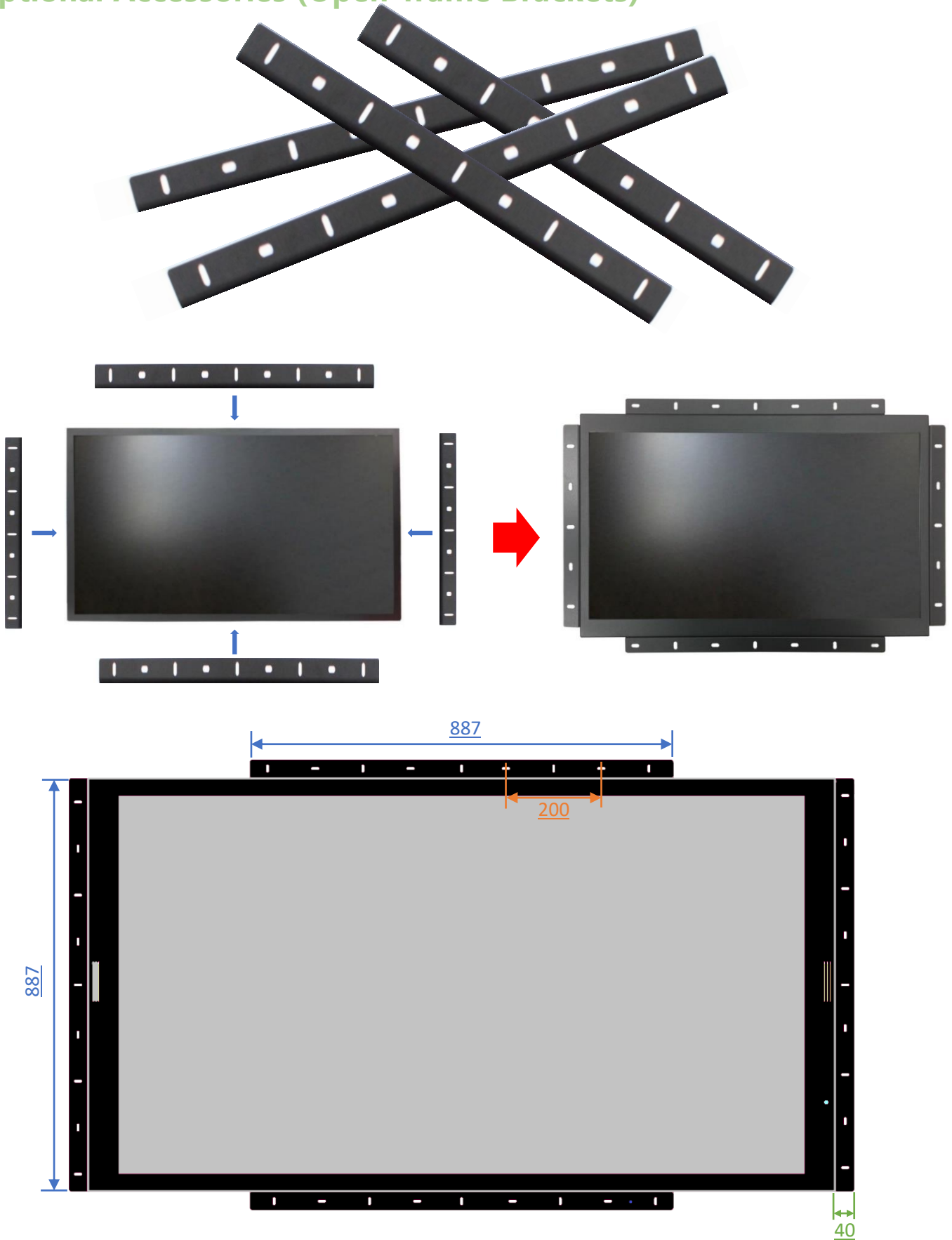
I.R. Touch			
Model No.	NTI65010XXHXA-012	Transparency	≥92%
Touch Technology	I.R. Touch	Accuracy	99.00%
Allowed Touch Points	20 points	Thickness of Cover Lens	4.0±0.2mm
Interface	USB	Hardness of Cover Lens	7H

Physical Specifications

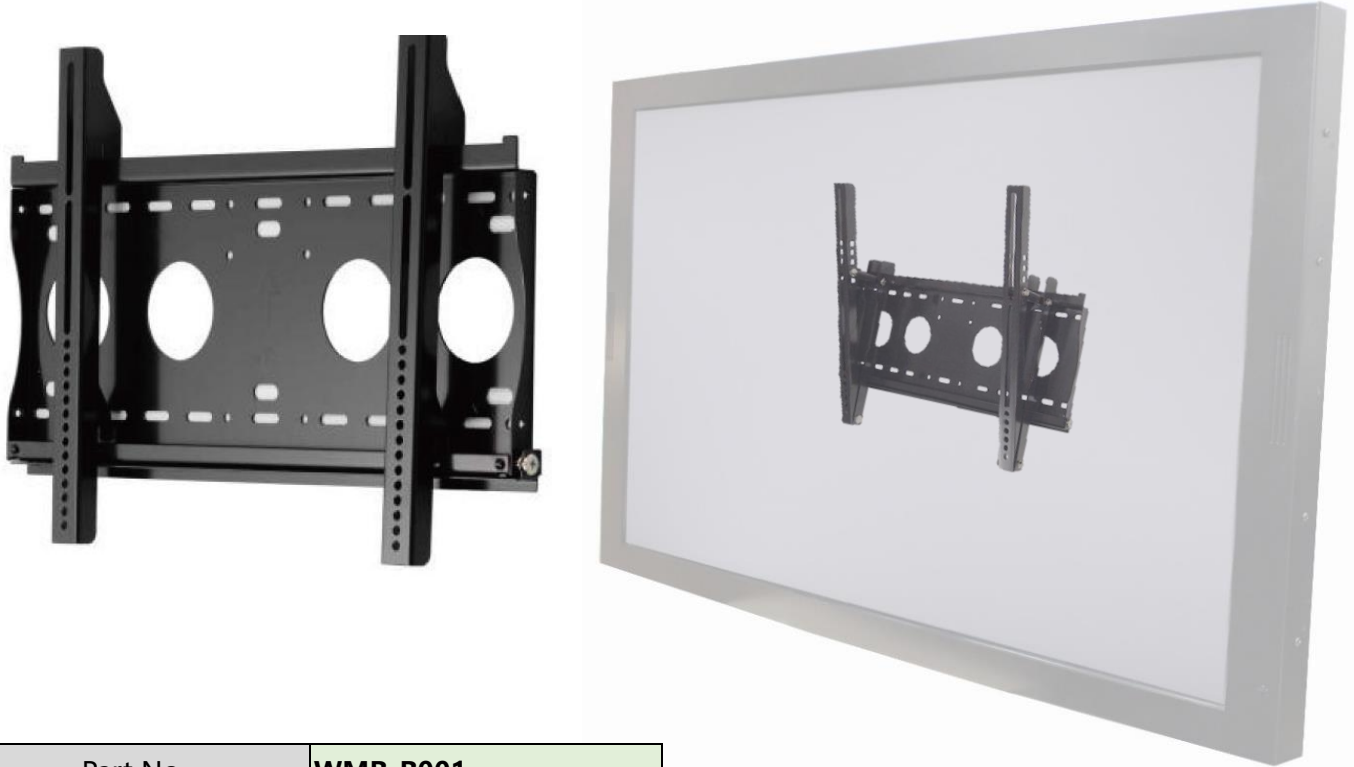
Dimension (Max)	1584x923x140(±1)mm	Net Weight	≤70 KG
VESA Mounting	400x400/600x400 mm	Gross Weight	≤78 KG



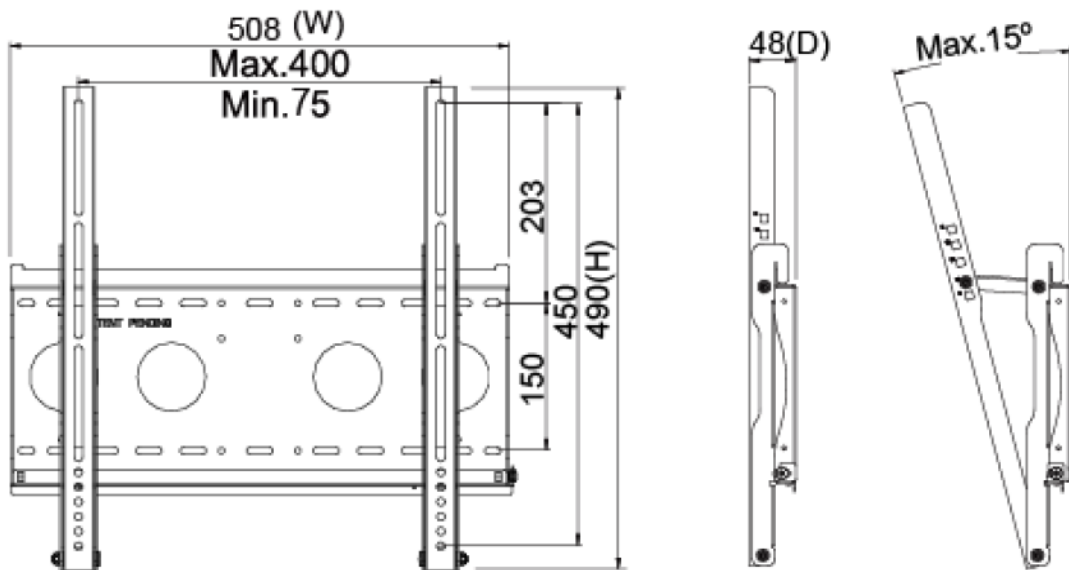
Optional Accessories (Open-frame Brackets)



Optional Accessories (Wall Mount Bracket)



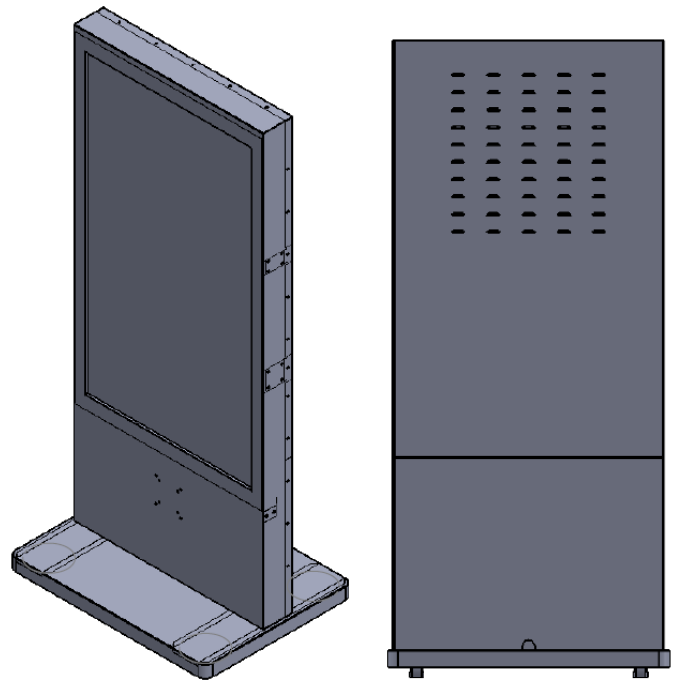
Part No.	WMB-B001		
Mounting Pattern	Max. 400x450 mm	Dimension (WxHxD)	508x490x48 mm
Material	SECC	Net Weight	4.01 KG
Tilt (Hinge)	0°/5°/10°/13°/15°	Support Max. Weight	80 KG
Screw Type	M4/M5/M6/M8	Min. Distance to The Wall	48 mm



Optional Accessories (KIOSK Cabinet)



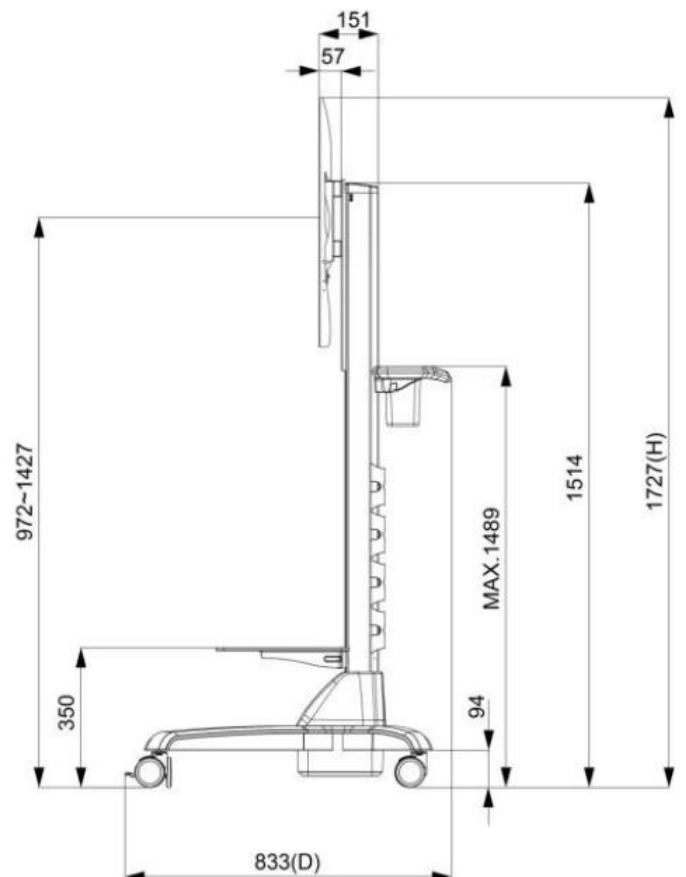
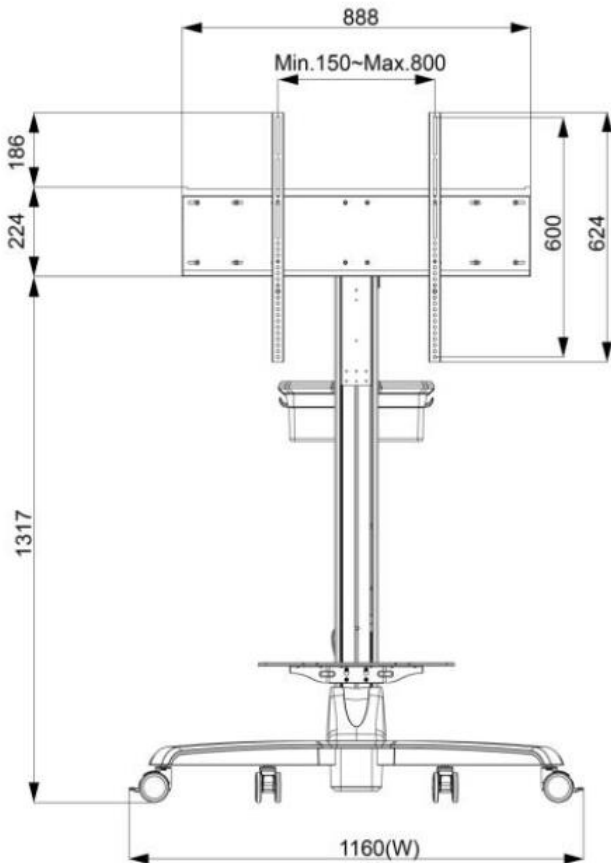
Material	SECC
Caster	4 (front 2 braking)



Optional Accessories (Cart)



Net Weight	28.4 KG
Power System	AC 200~240V 50/60Hz
User Interface	Button (up/down)
Packaged Dimension	W1160xD833xH1727 mm
Screw Type	M4/M5/M6/M8
Material	Aluminum/Plastic/Steel
Max. Mount Pattern	800x600mm
Max. Weight Load	80 KG
Caster	4 (front 2 braking)
Height Adjust Range	455 mm
RoHS/REACH	Yes



Packing Information



Dimensions of Carton	1870x1140x340 mm
Net Weight	≤70 KG
Gross Weight	≤78 KG